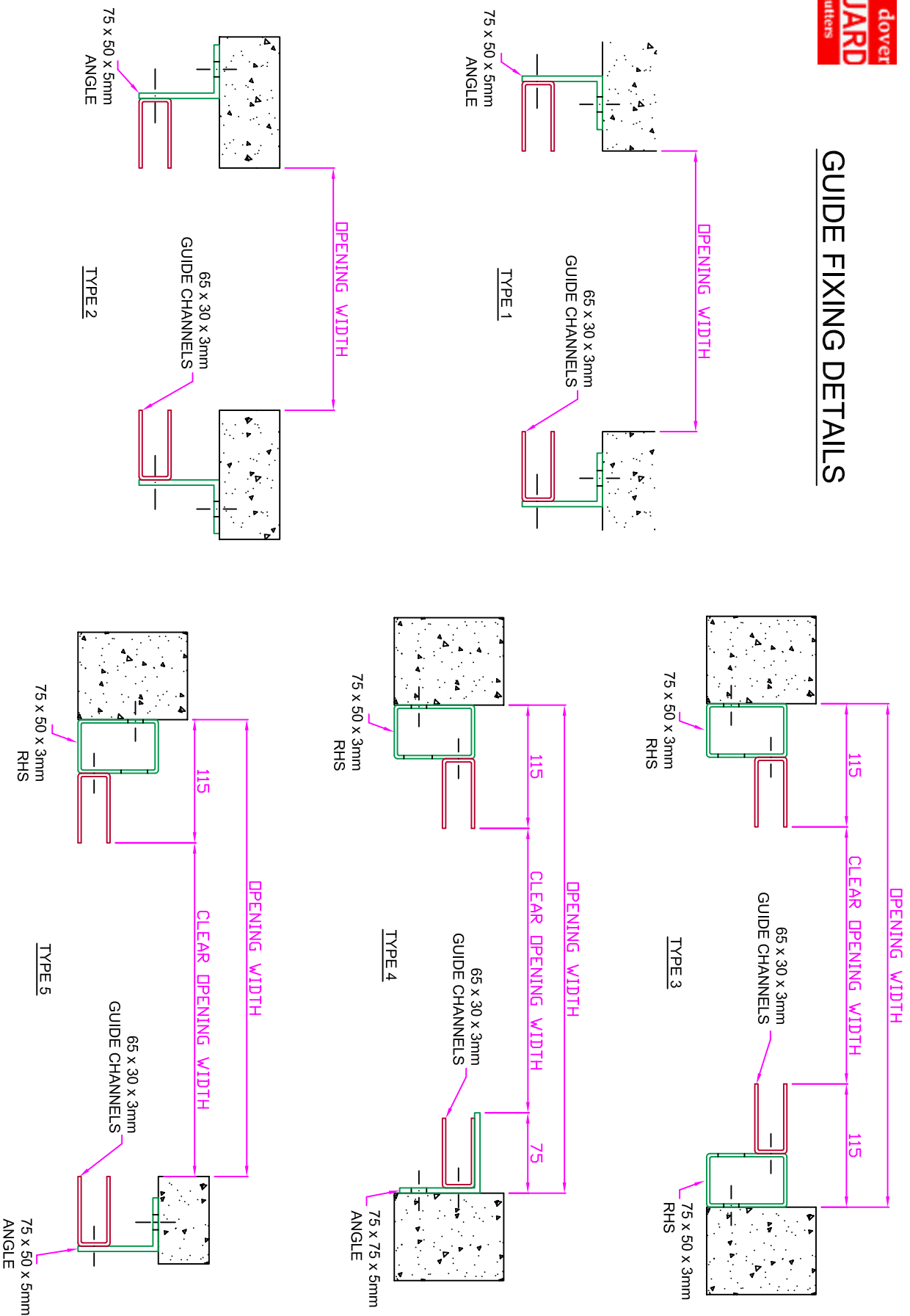


GUIDE FIXING DETAILS



GUIDE FIXING CONFIGURATIONS

CONFIDENTIAL NOTE: This drawing and its designs, specifications and engineering information disclosed hereon are the property of DOVER VANGUARD ROLLER SHUTTERS and are not to be disseminated or reproduced without express written consent. The drawing is loaned in confidence and then only for consideration of the matter disclosed hereon. In accepting loan of this drawing, the recipient agrees to keep it and the matter disclosed hereon in confidence and not to use nor permit their use in any way detrimental to DOVER VANGUARD ROLLER SHUTTERS.

SCALE N.T.S.	DRAWN H.P.L.Y.		DATE 10/06/09	DOVER VANGUARD ROLLER SHUTTER Coldhurst Street Oldham lincs OL1 2DN UK Telephone: 0161 652 3498 Fax: 0161 627 2697	
	CHECK: T.N	CLIENT:			
DWG No: DOVER-0001			PART No:		