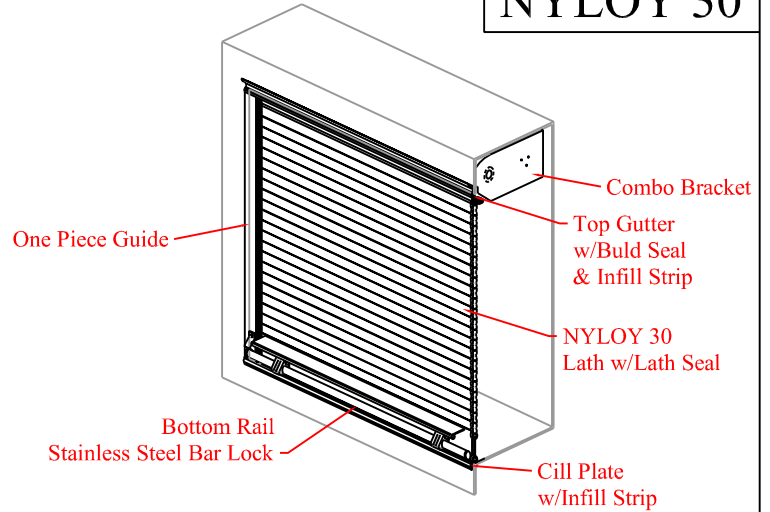




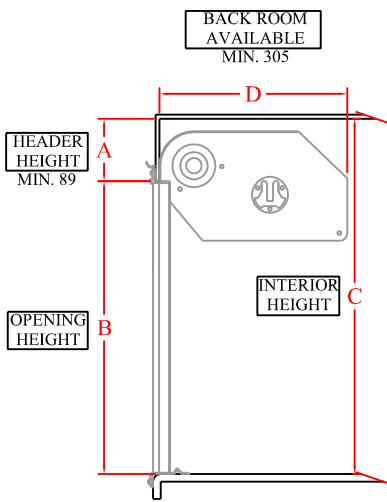
Coldhurst Street
 Oldham Lancs OL1 2DN
 Phone: 0161 652 3498
 Fax: 0161 627 2697

NYLOY 30



COMPANY	
ADDRESS	
POSTAL CODE	
PO OR JOB#	
ORDERED BY	DATE
END USER	
END USER CITY	STATE
QUANTITY	COMPT.#

COMPARTMENT SIDE VIEW



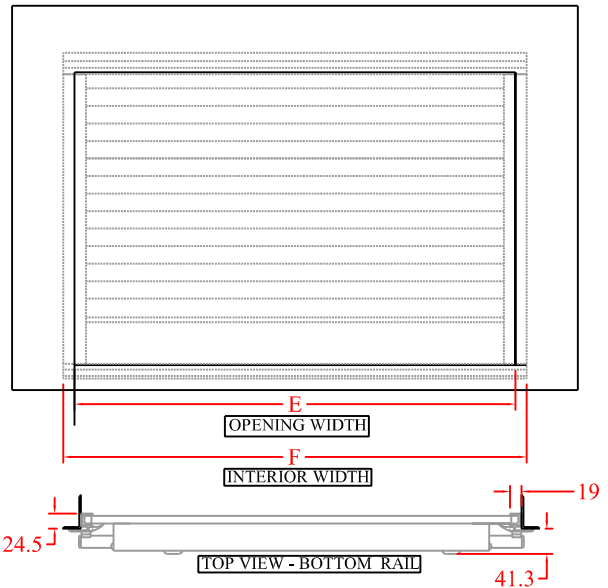
To ensure proper fit, please give accurate measurements.

The factory will allow 3 mm clearance per side unless other is specified.

If you require additional clearance please indicate in the special instruction area.

If the customer requires "Clear Door Opening" add 76 mm to the width and 102 mm to the height of the compartment.

COMPARTMENT FRONT VIEW



A		C	
B		D	

E		F	
---	--	---	--

SELECT YOUR REQUIREMENTS

LATCH TYPE:	<input type="checkbox"/> SS LIFT BAR
	<input type="checkbox"/> SS LIFT BAR W/KEY LOCK
GUIDE OPTIONS:	<input type="checkbox"/> Frame Surround One Piece
	<input type="checkbox"/> Frame Surround One Piece with Groove
	<input type="checkbox"/> Frame Surround Seal Holder with Stainless Steel Track
LED LITES OPTIONS:	LED STRIP LITES (+) OR (-) OUTPUT, 12 VOLT IS STANDARD
	<input type="checkbox"/> 178 mm LED QTY. _____ <input type="checkbox"/> 305 mm LED QTY. _____
	<input type="checkbox"/> 610 mm LED QTY. _____ <input type="checkbox"/> 762 mm LED QTY. _____
TRIM/SEAL:	<input type="checkbox"/> STANDARD RAIN GUTTER <input type="checkbox"/> EXTENDED RAIN GUTTER
	<input type="checkbox"/> HEADER SEAL ONLY <input type="checkbox"/> SILL PLATE
	<input type="checkbox"/> PULL STRAP (FOR TALL DOORS)
DOOR AJAR OPTIONS:	DOOR AJAR/COMPARTMENT -MKII SWITCH (+) OR (-) OUTPUT, 12 VOLT IS STANDARD
	<input type="checkbox"/> INSTALL switch in right guide (Facing door)
	<input type="checkbox"/> INSTALL switch in left t guide (Facing Door)
	<input type="checkbox"/> DO NOT INSTALL SWITCH (Ship seperately)
	<input type="checkbox"/> NO DOOR AJAR SYSTEM - Do not install striker blocks
	<input type="checkbox"/> NO DOOR AJAR SYSTEM - Install striker blocks

COLOR AND FINISH OPTIONS

FINISH TYPE:	<input type="checkbox"/> SATIN ANODIZED FINISH
	<input type="checkbox"/> BRUSH ANODIZED FINISH
	<input type="checkbox"/> MILL FINISH
	<input type="checkbox"/> POWDER COAT FINISH (List color and number below)
COLOR INFORMATION:	

FOR COLOR COATED SHUTTERS, COAT THE FOLLOWING:

<input type="checkbox"/> RAIN GUTTER/HEADER SEAL	<input type="checkbox"/> SILL PLATE
<input type="checkbox"/> SIDE GUIDES	<input type="checkbox"/> ROLLER ASSEMBLY
<input type="checkbox"/> HEAD PLATES	

Roll Size Chart	APERTURE HEIGHT	A	B
	500	200	170
	1000	250	220
	1500	270	240
	2000	300	280

SPECIAL INSTRUCTIONS: