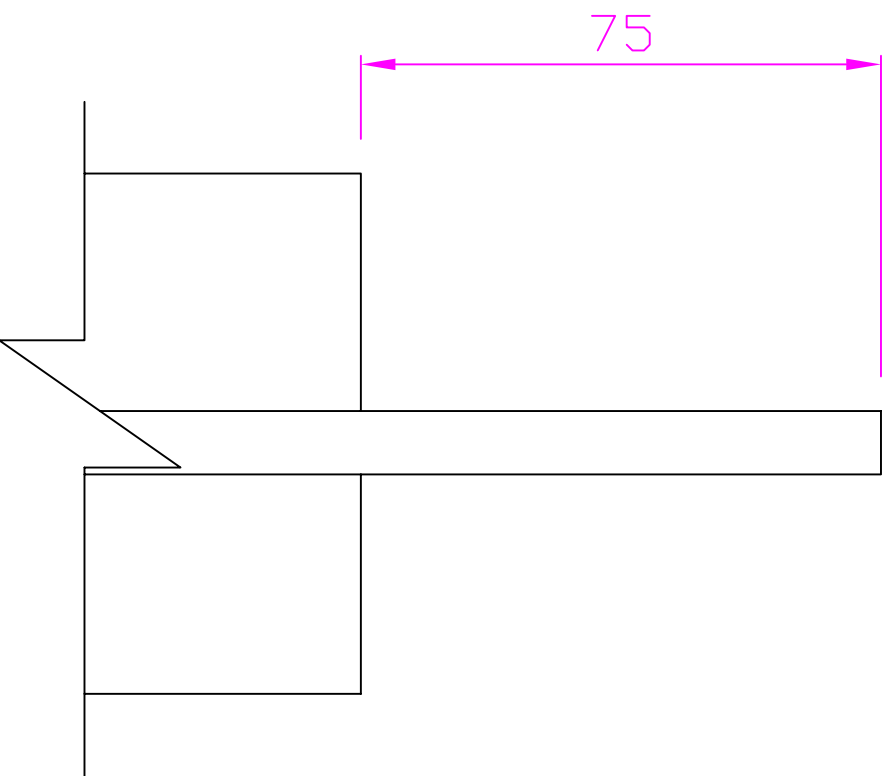
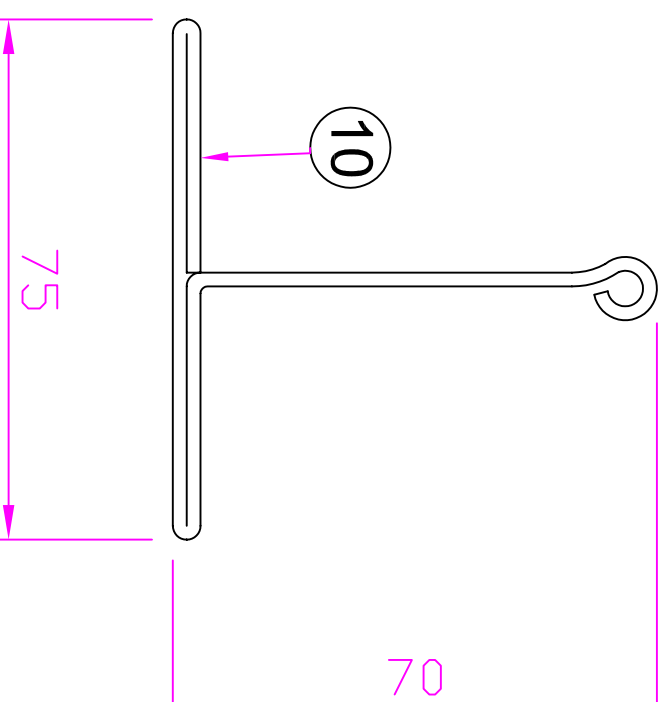


T SECTION BOTTOM RAIL



NOTCH ENDS 75MM



Light Duty (1.6mm) - 8m stock length

Heavy Duty (2.0mm) - 9m stock length

FIRE SHUTTER - T SECTION BOTTOM RAIL

CONFIDENTIAL NOTE: This drawing and its designs, specifications and engineering information disclosed hereon are the property of AUSTRAL MONSOON INDUSTRIES P/L and are not to be disseminated or reproduced without express written consent. The drawing is loaned in confidence and then only for consideration of the matter disclosed hereon. In accepting loan of this drawing, the recipient agrees to keep it and the matter disclosed hereon in confidence and not to use nor permit their use in any way detrimental to AUSTRAL MONSOON INDUSTRIES P/L.

SCALE
N.T.S.

DRAWN

H.P.L.Y

DATE

02/04/09

DOVER VANGUARD ROLLER SHUTTER

Coldhurst Street

Oldham lanes OL1 2DN UK

Telephone: 0161 652 3498 Fax: 0161 627 2697

CHECK: **T.N**

CLIENT:

DWG No:

TFS - D004

PART No: