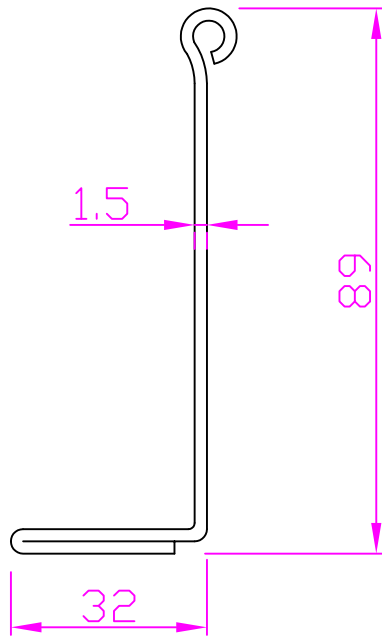
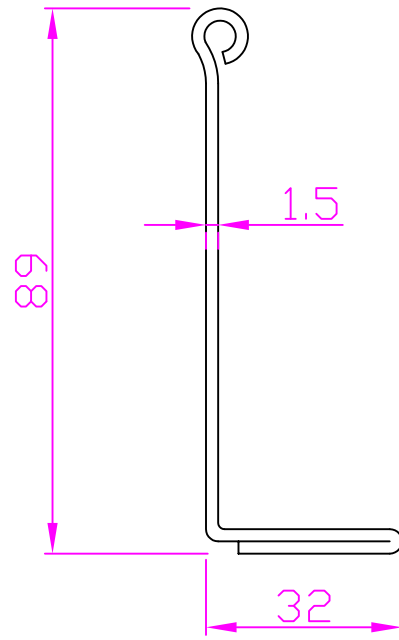


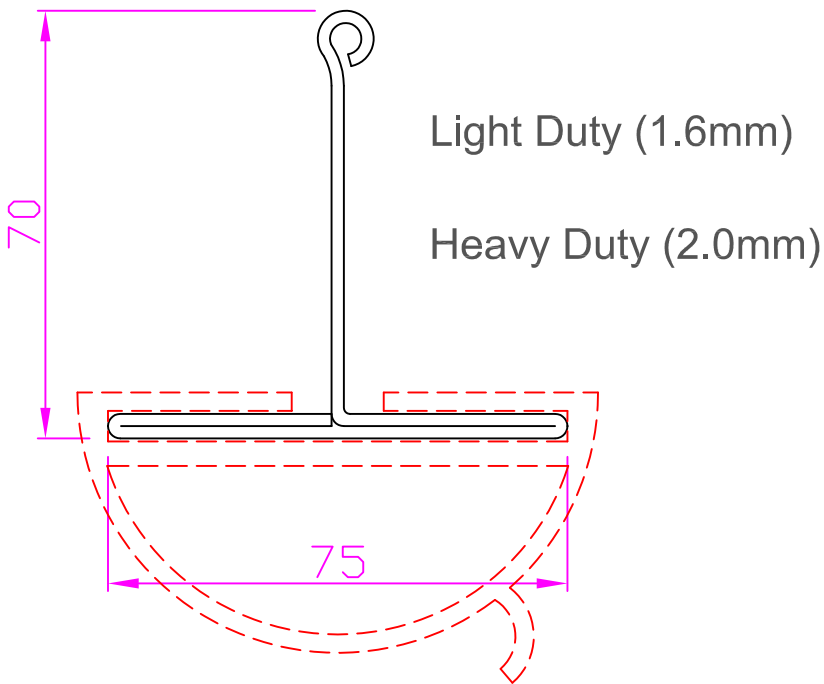
# Architectural Steel Bottom Rail



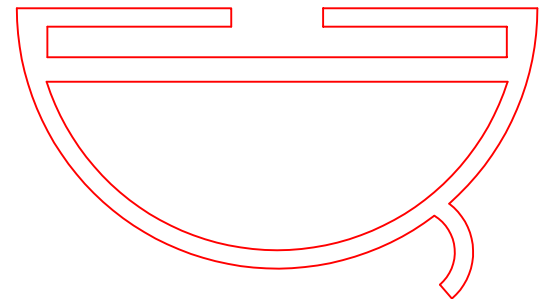
L Bottom Rail - Inside



L Bottom Rail - Outside



T Bottom Rail



Rubber D Strip

**Steel Bottom Rail**

SCALE	DOVER VANGUARD ROLLER SHUTTERS	
NTS	Coldhurst Street Oldham lincs OL1 2DN UK	
DRAWN H.P.LY	Telephone: 0161 652 3498 Fax: 0161 627 2697	
CHECK: T.N	SPONSOR:	
DATE 01/07/09	DWG No: DOV-0011	PART No:

**CONFIDENTIAL NOTE:** This drawing and its designs, specifications and engineering information disclosed hereon are the property of DOVER VANGUARD ROLLER SHUTTER P/L and are not to be disseminated or reproduced without express written consent. The drawing is loaned in confidence and then only for consideration of the matter disclosed hereon. In accepting loan of this drawing, the recipient agrees to keep it and the matter disclosed hereon in confidence and not to use nor permit their use in any way detrimental to DOVER VANGUARD ROLLER SHUTTER P/L.